

Temspec Inc.



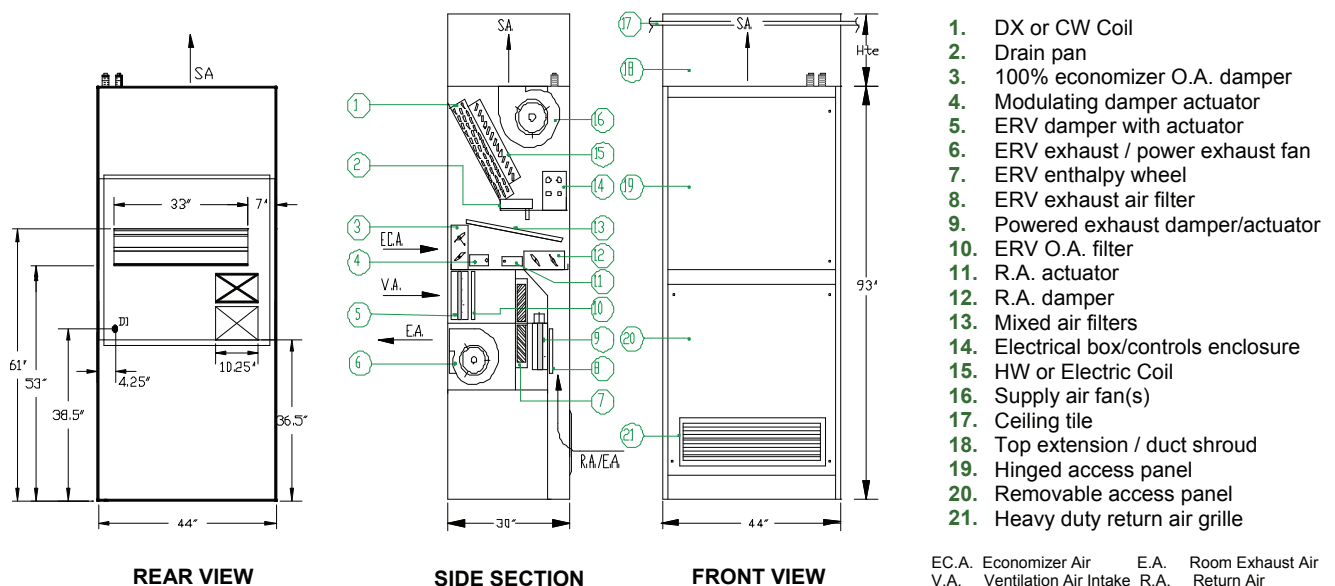
Energy Recovery Unit Ventilators

Dependable Classroom Comfort with Lower Energy Costs

A market leader for 40 years, Temspec designs and manufactures advanced air conditioning solutions for today's complex classroom requirements. A pioneer in single zone control, Temspec's vertical unit ventilators ensure that the unique conditions of each classroom will be satisfied by means of dedicated outside air, dehumidification and temperature control.

VER 1800 FEATURES AND OPTIONS

- ERV package includes AHRI certified **energy recovery wheel** with desiccant coating for energy efficiency (up to **75 %**) and enhanced dehumidification
- Ideal for retrofits or new construction
- Nominal 800 - 1800 cfm supply air
- Heating: HW or Electric Coil
- Cooling: CW Coil or Split DX
- Quiet operation
- Ducted or freeblow supply air with top acoustical plenum
- Modulating economizer function up to 100 % outdoor air
- Power exhaust up to 100 %
- Frost protection
- CSA 22.2 / UL 1995 compliant
- High outdoor air intake (over the sill) for easy retrofitting into existing window openings
- Factory installed contractor controls or factory supplied and installed controls
- Closed cell insulation
- Internal condensate pump option
- High efficiency options: ECM motors, up to 2 " Merv 13 filters
- Full selection of sheet metal accessories available to ensure an effective installation



Temspec Inc.
6720 Columbus Road
Mississauga, ON
L5T 2G1

Phone: 905-670-3595
Fax: 905-670-3592
Email: sales@temspec.com
www.temspec.com

